



# E-Sound



Model:  
SD-153B

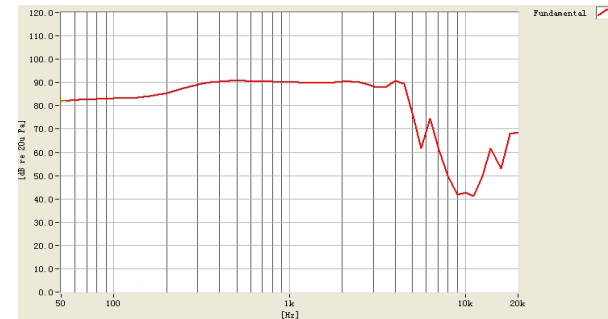
Picture:



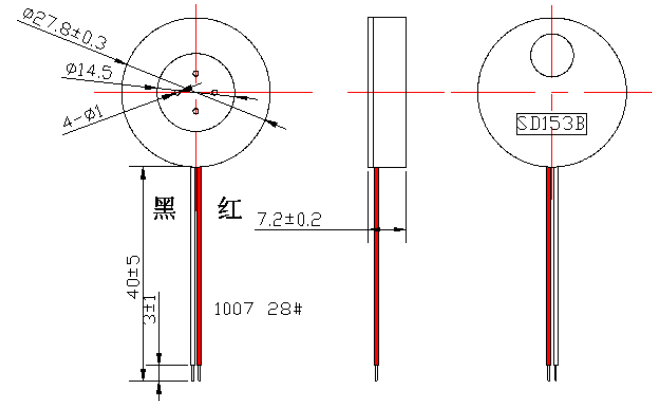
Specification:

Model	SD-153B
Rated Voltage	30 mV
Operating Voltage	50 mV
Sound Output at 10cm (dB)	90 dB
Rated Impedance	150 Ohm
Frequency Range	300 ~3400Hz.

Frequency:



Dimensions:



[info@duoxin.com](mailto:info@duoxin.com)

[Tel:86-519-83993358](tel:86-519-83993358)

[www.duoxin.com](http://www.duoxin.com)