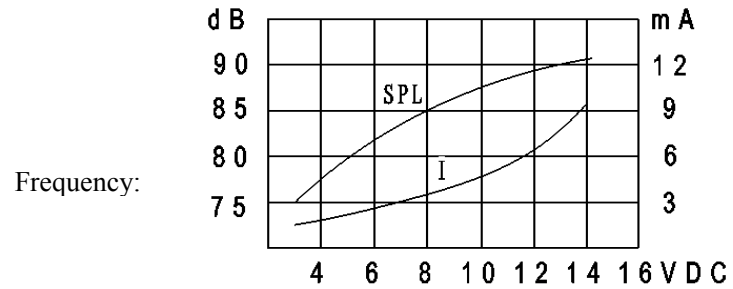




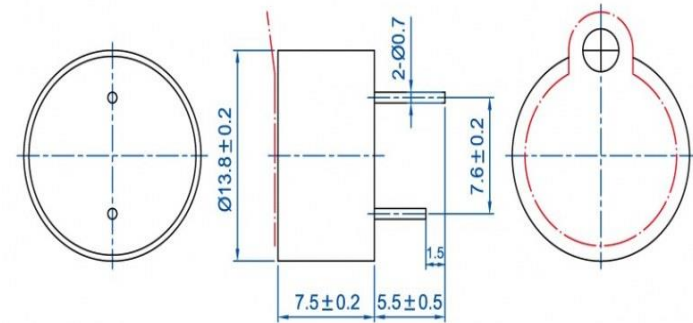
E-Sound



Model:
DXP14075(Self Drive)
Picture:
Specification:



Dimensions:



Model	DXP14075(Self Drive)		
Rated Voltage	5 V	9 V	12 V
Operating Voltage	3-7 V	5-12 V	8-15V
Sound Output at 10cm (dB)	80 dB	85 dB	85 dB
Current consumption	5 mA	8 mA	12 mA
Operating Temperature (°C)	-20~+70 °C	-20~+70 °C	-20~+70 °C
Storage Temperature (°C)	-30~+80 °C	-30~+80 °C	-30~+80 °C