



E-Sound



Model:

DXYD57N-22Z-8A-F

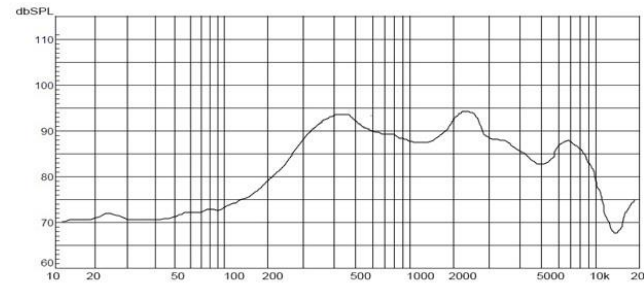
Picture:



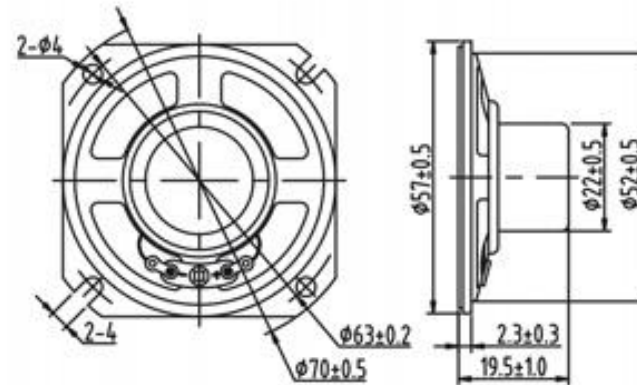
Specification:

Model	DXYD57N-22Z-8A-F
Impedance	32 ohm
Nominal Power	0.2 w
Maximum Power	0.5 w
Resonance Frequency (Fo)	
Response:	Fo~4000Hz
S.P.L	84±3dB/W/M

Frequency:



Dimensions:



info@duoxin.com

[Tel:86-519-83993358](tel:86-519-83993358)

www.duoxin.com