



E-Sound



Model:
DXYD50N-16Z-8A

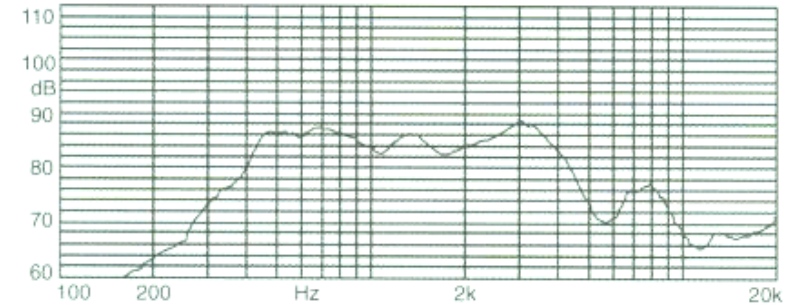
Picture:



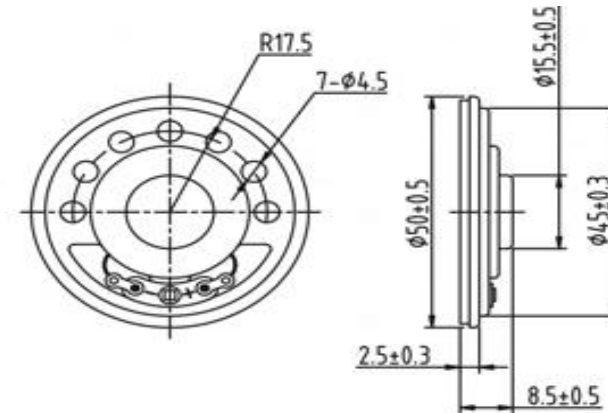
Specification:

Model	DXYD50N-16Z-8A
Impedance	8 ohm
Nominal Power	0.25w
Maximum Power	0.5 w
Resonance Frequency (Fo)	500Hz
Response:	Fo~4000Hz
S.P.L	86±3dB/W/M
Magnet	1.8g

Frequency:



Dimensions:



info@duoxin.com

[Tel:86-519-83993358](tel:86-519-83993358)

www.duoxin.com